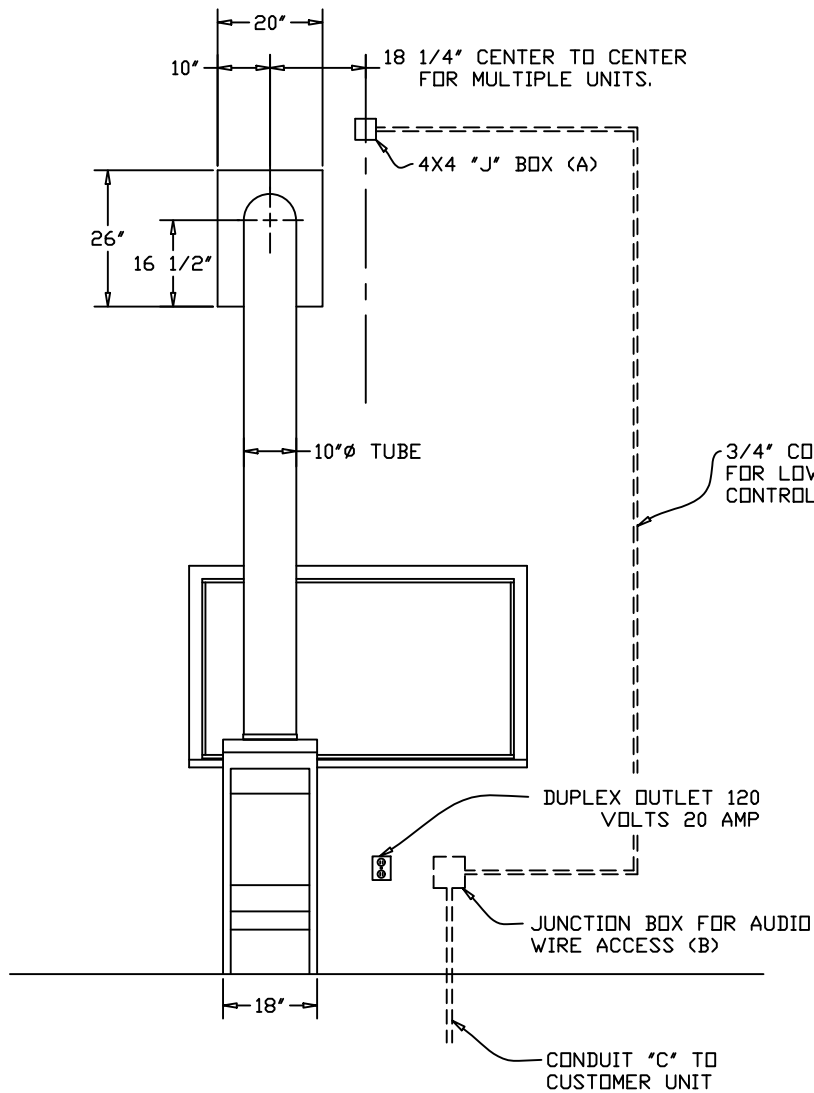
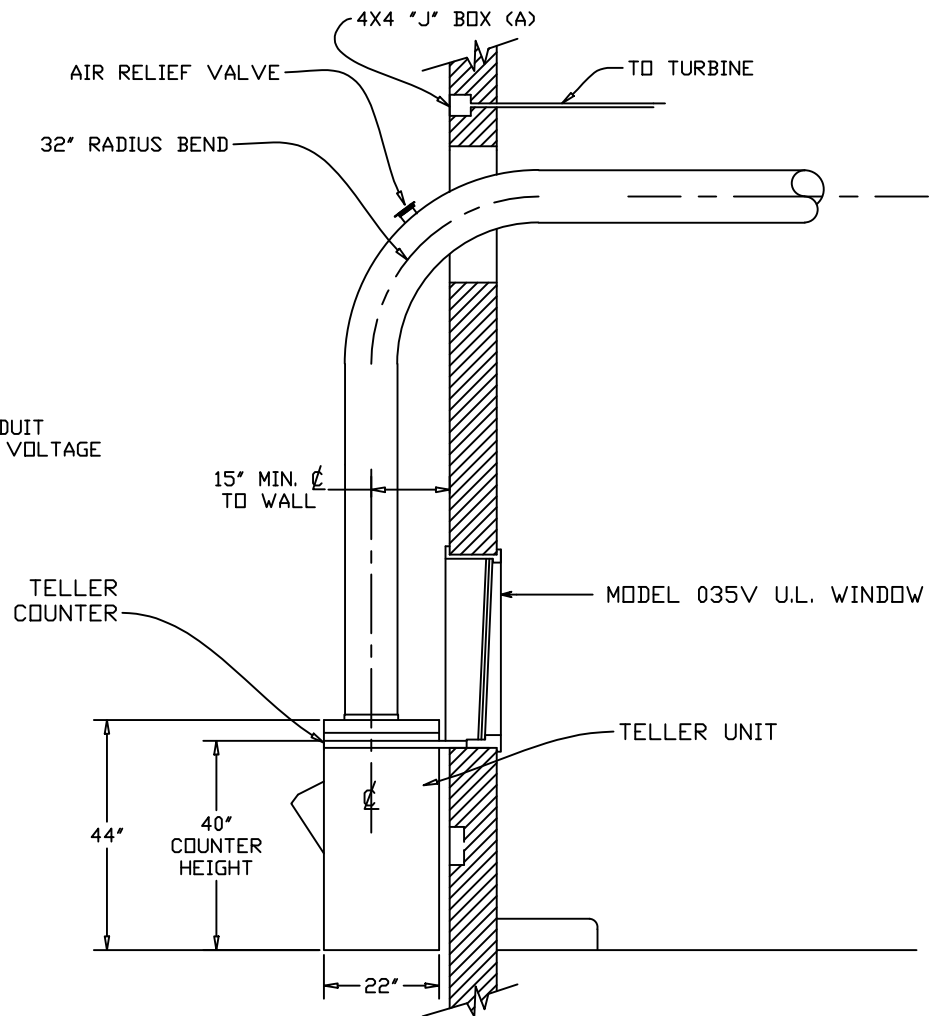


REV-1	6/19/00 MOVED TURBINE
REV-2	5/16/11 REVISED HEIGHT



INTERIOR ELEVATION



SECTION

est. 1967 HAMILTON CUSTOM MADE SECURITY	PROPRIETARY AND CONFIDENTIAL THESE DRAWINGS ARE THE PROPERTY OF HAMILTON SAFE CO. AND SHALL NOT BE REPRODUCED, COPIED, USED AS THE BASIS FOR MANUFACTURE OR SALE OF APPARATUS WITHOUT PERMISSION	DESCRIPTION MODEL HA-33 UPSEND TELLER UNIT (10' TUBE SYSTEM)	
		DRAWING/MODEL NUMBER 99-722	DATE 10/08/2021